



Rev 1.8
02.12.2013

Broadband Antenna OmniLOG® 90200

Frequency range 700MHz - 2,5GHz, specially for GSM, 3G, LTE and 2,4GHz WLAN

Highlights:

- ◆ Highly isotropic from 700MHz to 2,5GHz
- ◆ Optimal for usage with spectrum analyzer for omni-directional measurements
- ◆ 90° knuckle base with SMA connector
- ◆ Small weight and very small dimensions
- ◆ **10 years warranty**

Made in Germany



Specifications

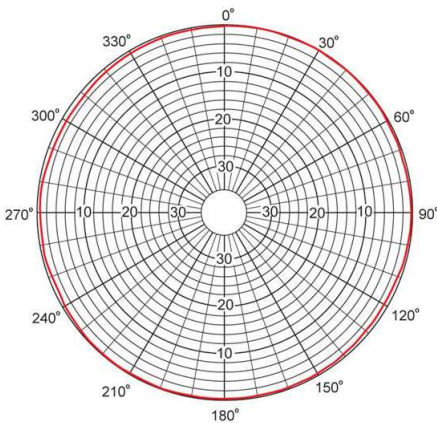
OmniLOG® 90200

- ◆ Design: Omni-Directional
- ◆ Nominal impedance: 50 Ohms
- ◆ Frequency range: 700MHz - 2,5GHz
- ◆ VSWR (typ): < 3:1
- ◆ RF-connection: SMA (male)
- ◆ Temperature range: - 20°C to +70°C Shock: 40G at 10msek
- ◆ Thermal Shock: - 20°C to +70°C:10 cycles
- ◆ Dimensions (L/W): 210 x 20mm
- ◆ Weight: 70gr
- ◆ **Warranty: 10 years**



OmniLOG 90200 Antenna with Spectran HF-60100 V4.
The antenna is directly supported by the V4 series.
It can be used for the GSM and UMTS frequency range with the Rev.3 units too (measurement uncertainty only 2dB).

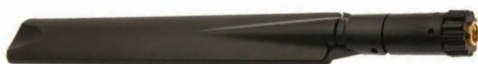
Horizontal Pattern OmniLOG 90200



Gain-Diagram OmniLOG 90200



Front view OmniLOG 90200 Broadbandantenna



Rear view



OmniLOG with Spectran HF-XFR (OmniLOG 90200
Antenna already included with the Spectran HF-XFR)

Frequency overview Analyzer & Antennas

Frequency Overview SPECTRAN Spectrum Analyzer

1Hz	10Hz	100Hz	1kHz	10kHz	100kHz	1MHz	10MHz	100MHz	1GHz	10GHz	100GHz
	SPECTRAN NF-1010E										
	SPECTRAN NF-3020										
	SPECTRAN NF-5030 (opt. 30MHz)										
	SPECTRAN NF-XFR (opt. 30MHz)										
									SPECTRAN HF-2025E Rev3		
									SPECTRAN HF-4040 Rev3		
									SPECTRAN HF-4060 Rev3		
									SPECTRAN HF-6060 V4		
									SPECTRAN HF-6080 V4		
									SPECTRAN HF-60100 V4		
									SPECTRAN HF-XFR		

Frequency Overview HyperLOG and BicoLOG Antennas and Probes

1Hz	10Hz	100Hz	1kHz	10kHz	100kHz	1MHz	10MHz	100MHz	1GHz	10GHz	100GHz	
									HyperLOG 7025			
									HyperLOG 7025 X			
									HyperLOG 7040			
									HyperLOG 7040 X			
									HyperLOG 7060			
									HyperLOG 7060 X			
									HyperLOG 6030			
									HyperLOG 6030 X			
									HyperLOG 60100			
									HyperLOG 60180			
									HyperLOG 4025			
									HyperLOG 4025 X			
									HyperLOG 4040			
									HyperLOG 4040 X			
									HyperLOG 4060			
									HyperLOG 4060 X			
									HyperLOG 3080			
									HyperLOG 3080 X			
									HyperLOG 30100			
									HyperLOG 30180			
									HyperLOG 20300 EMI			
									HyperLOG 20600 EMI			
									Omnilog90200			
									BicoLOG 5070			
									BicoLOG 30100			
									BicoLOG 30100E			
									BicoLOG 20100			
									BicoLOG 20100E			
									BicoLOG 20300			
									Aaronia EMV Probe-Set PBS1 & PBS2			
									Aaronia Active Differential Probe (NF-50xx series)			
									Geophon (Aaronia GEO Series)			
subHz	ELF	SLF	ULF	VLF	LF	MF	HF	VHF	UHF	SHF	EHF	THF