

Quick Installation Guide

IR-710

Industrial Cellular VPN Router

Introduction

IR-710 is a reliable and cost-effective industrial embedded cellular router with 1 port 10/100Base-T(X) and 1 internal cellular modem. Users can set up the network environment to fulfill demands of various applications rapidly by dialing up internal cellular modems. It supports Https and IP filter for security control. Further, IR-710 could operate in a wide temperature, -10~55°C. Therefore, IR-710 is one of the best solutions for applications of Internet communication.



Features

- > Provide 1 port 10/100Base-T(X) port and 1 sim card slot
- > 3.5G HSDPA Modem dial up included
- > Support VPN Setting (Open VPN, PPTP VPN)
- > IP table supported to prevent access from unauthorized IP address
- > Secured Management by HTTPS
- > Support DHCP forwarding through PPTP function
- > DDNS supported to update DNS Hostname
- > Event Warning by Syslog, Email, SNMP Trap and Relay output
- > 12~48VDC power input on terminal block
- > Rigid IP-30 housing design
- > DIN-Rail and panel mounting enabled

Practical Operation

IR-710 can connect LAN to Internet though 3.5G modem! IR-710 provides the best transmission solution for LAN to mobile Internet .

LAN to Mobile Internet Connection

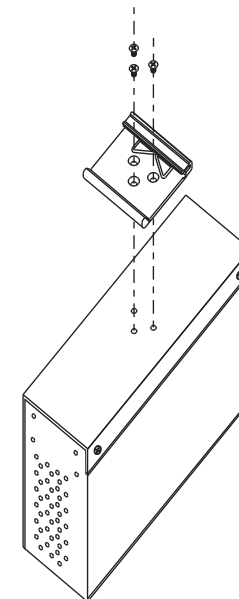


Specifications

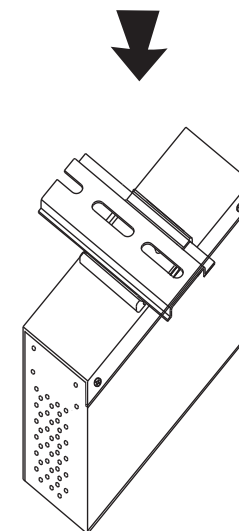
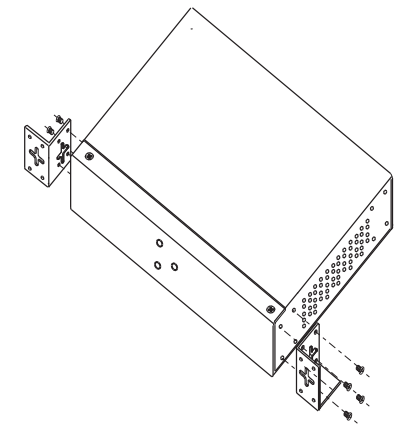
ORing Router Model	IR-710
Physical Ports	
10/100 Base-T(X) Ports in RJ45 Auto MDI/MDIX	1
Sim Card Slot	1
Cellular Interface	
Cellular Standard	GSM / GPRS / EGPRS / EDGE / WCDMA / HSDPA / HSUPA
Band Option	Dual-band : HSUPA 1900/2100 MHZ Quad-band : GSM / GPRS / EDGE 850/900/1800/1900 MHZ WCDMA / HSDPA 850/900/1900/2100 MHZ
LED indicators	
Power Indicator	Green on: Power is on
Status Indicator	Green: System status indication
Fault Indicator	Amber on: WAN connection link down
WAN	Green on: Cellular modem is present Green blinking: Cellular modem is transmitting data
10/100Base-T(X) RJ45 Port Indicator	Green for port Link / Act. Amber for 100Mbps indicator
Fault Contact	
Relay	Relay output to carry capacity of 1A at 24VDC
Power	
Input Power	12-48VDC power input on terminal block
Power Consumption	4.5 Watts
Physical Characteristic	
Enclosure	IP-30
Dimension (W x D x H)	41(W) x 70(D) x 95(H)mm (1.61x 2.76 x 3.74inch.)
Weight (g)	356g
Environmental	
Storage Temperature	-40 to 85°C (-40 to 185°F)
Operating Temperature	-10 to 55°C (14 to 131°F)
Operating Humidity	5% to 95% Non-condensing
Regulatory Approvals	
EMI	FCC Part 15, CISPR (EN55022) class A
EMS	EN61000-4-2 (ESD), EN61000-4-3 (RS), EN61000-4-4 (EFT), EN61000-4-5 (Surge), EN61000-4-6 (CS), EN61000-4-8, EN61000-4-11
Warranty	5 years

Installation

Din-Rail Install Step



Wall-mounted Install Step



ORing ORing Industrial Networking Corp.

Copyright© 2011 ORing
All rights reserved.



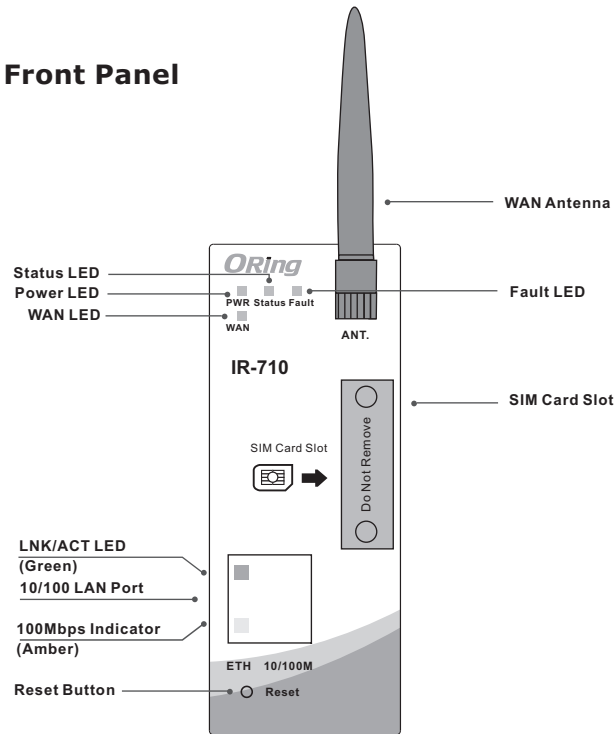
TEL: +886-2-2218-1066 Website: www.oring-networking.com
FAX: +886-2-2218-1014 E-mail: support@oring-networking.com

Quick Installation Guide

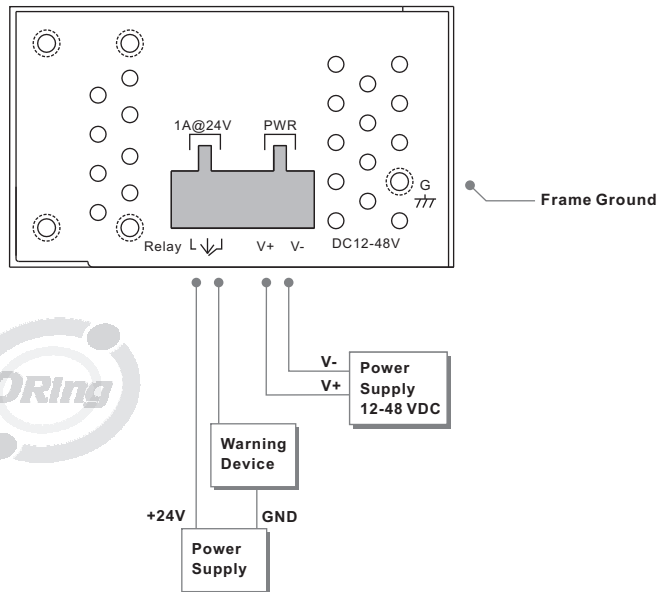
IR-710

Industrial Cellular VPN Router

Front Panel

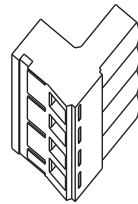


Power Connection Guide

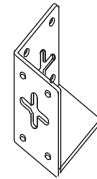


Accessory

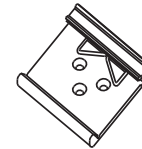
- ① 4-Pin Terminal block
- ② Dust Cover (RJ-45)
- ③ Screw (M3 X3)



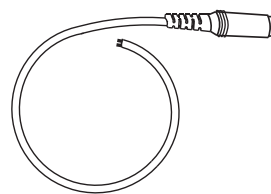
- ④ Wall-mounted kit



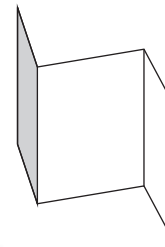
- ⑤ 40mm DIN-Rail kit



- ⑥ Power Cable with power jack



- ⑦ QIG



- ⑧ Cellular Antenna



- ⑨ CD



Packing list

Model name	Model Description	Accessory
IR-710	Industrial Cellular VPN router with 1x10/100Base-T(X) Cellular modem included	① X 1, ② X 1, ③ X 8, ④ X 2, ⑤ X 1, ⑥ X 1, ⑦ X 1, ⑧ X 1, ⑨ X 1

Communication Connections

10/100Base-T(X) Ethernet Port Connection

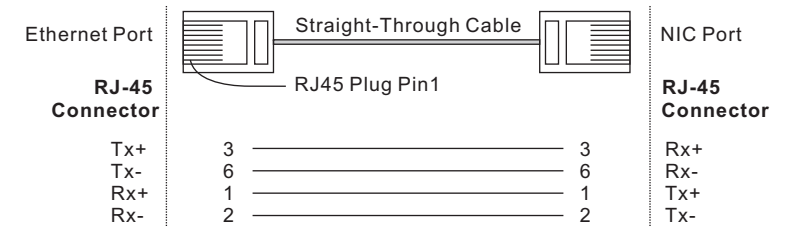
RJ45 (8-pin, MDI) Port Pinouts

Pin	Single
1	Tx+
2	Tx-
3	Rx+
6	Rx-

RJ45 (8-pin, MDI-X) Port Pinouts

Pin	Single
1	Rx+
2	Rx-
3	Tx+
6	Tx-

RJ45 (8-pin) to RJ45 (8-Pin) Straight-Through Cable Wiring



RJ45 (8-pin) to RJ45 (8-Pin) Cross-Over Cable Wiring

