



TNS5000D-8T

Wall Mounting

8-Port 100M Layer 2 Unmanaged Industrial Ethernet Switch for Rail Transit

- Support 8 100M M12
- Support 110VDC (66~154VDC) or 24VDC(9~36VDC) power supply input
- Support -40~75°C wide temperature operation



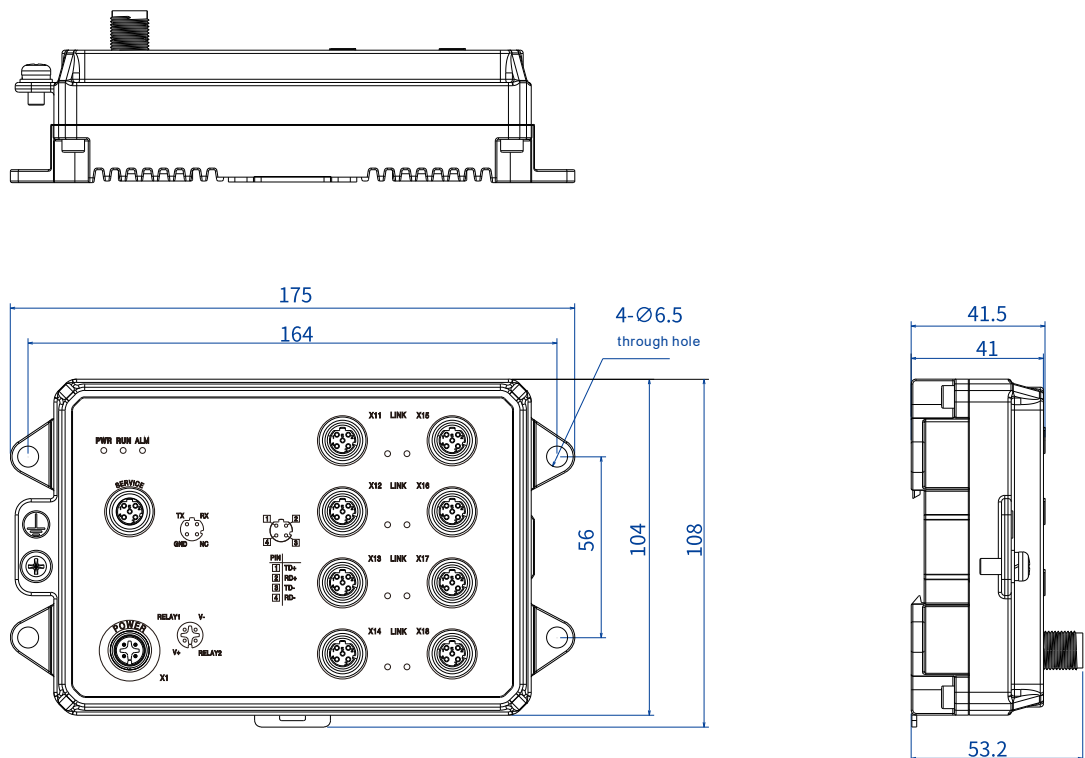
Introduction

TNS5000D-8T is 8-port 100M layer 2 unmanaged industrial Ethernet switch designed for rail transit. It conforms to the EN50155 and EN50121 industry standard. Ethernet interfaces, power interface and SERVICE port use firm and reliable M12 connectors which can adapt to usage scenario with severe vibration and shock. This product provides 8 100M M12 interfaces, and it adopts wall mounting which can meet the requirements of different scenes.

When port has link failure, ALARM indicator will be bright and send out alarm, meanwhile, alarm device connected to the relay will send out alarm for rapid scene troubleshooting. Hardware adopts fanless, low power consumption, wide temperature and voltage design and has passed rigorous industrial standard tests, which can suit for the industrial scene environment with harsh requirements for EMC. It is designed for rail transit industrial and can be widely used in systems such as car PIS, CCTV, video monitoring and train control.

Dimension

Unit: mm



Specification

Standard & Protocol	IEEE 802.3 for 10Base-T IEEE 802.3u for 100Base-TX IEEE 802.3x for Flow Control
Interface	Power supply interface: M12 A-Coded 4-Pin (male) connector, the power occupies 2 pins, V- and V+ Relay alarm interface (reserved): M12 (Male), 4-Pin A-Coded, relay occupies two pins, RELAY1 and RELAY2 100M Ethernet port: 10/100Base-T(X), M12(Female), 4-Pin D-Code, Automatic Flow Control, Full/half Duplex Mode, MDI/MDI-X Autotuning Service port: CLI command line management port (RS-232), M12(Female), 4-Pin D-Code, used by technicians for debugging
Indicator	Running Indicator, Port Indicator, Power Supply Indicator, Alarm Indicator
Switch Property	Transmission mode: store and forward MAC address: 8K Buffer: 1Mbit Backplane bandwidth: 7.6G Switch time delay: <10 μ s
Power Supply	110VDC (66~154VDC) or 24VDC (9~36VDC), M12 (Male), 4-Pin A-Coded
Power Consumption	Full-load: 3.8W@24VDC No-load: 2.1W@24VDC
Working Environment	Operating temperature: -40~75 $^{\circ}$ C Storage temperature:-40~85 $^{\circ}$ C Relative humidity: 5%~95% (no condensation)
Physical Characteristic	Housing: IP65 protection, metal Installation: wall mounting Dimension (W x H x D): 175mm \times 104mm \times 53.2mm Weight: 0.642kg
Industrial Standard	IEC 61000-4-2 (ESD, electrostatic discharge), Level 3 <ul style="list-style-type: none"> Air discharge:\pm 8kV Contact discharge: \pm6kV

IEC 61000-4-2 (ESD, electrostatic discharge), Level 3

- Air discharge: $\pm 8\text{kV}$
- Contact discharge: $\pm 6\text{kV}$

IEC 61000-4-4 (EFT, electrical fast transient pulses), Level 3

- Power supply: $\pm 2\text{kV}$
- Ethernet port: $\pm 1\text{kV}$
- Relay: $\pm 2\text{kV}$

IEC 61000-4-5 (Surge), Level 3

- Power supply: common mode $\pm 2\text{kV}$, differential mode $\pm 1\text{kV}$
- Ethernet port: $\pm 2\text{kV}$
- Relay: common mode $\pm 2\text{kV}$, differential mode $\pm 1\text{kV}$

Shock: IEC 61373

Free fall: IEC 60068-2-32

Vibration: IEC 61373

Authentication

CE, FCC, RoHS, REACH , EN50155, EN50121-3-2, EN50121-4, IEC61373, EN45545, Q/CR 699-2019, Q/CRRC J26-2018

Ordering Information

Available Models	100M M12	Power supply
TNS5000D-8T-P110	8	110VDC (66~154VDC)
TNS5000D-8T-P24	8	24VDC (9~36VDC)



Address: 3/B, Zone 1, Baiwangxin High Technology Industrial Park, Song Bai Road, Nanshan District, Shenzhen, 518108, China

TEL.: +86-755-26702668 ext 835

FAX: +86-755-26703485

E-mail: ics@3onedata.com

Website: www.3onedata.com

↳ [Please scan our QR code for more details](#)

*Product pictures and technical data in this datasheet are only for reference. Updates are subject to change without prior notice. The final interpretation right is reserved by 3onedata.